

# TECHNICAL BULLETIN

**N110 – 2024.06**

# ED68

DOOR SYSTEM  
WITH THERMAL BREAK

➤ **New EPDM vulcanized corner ET060684.00  
for gaskets ET130684.00 & ET130878.00**

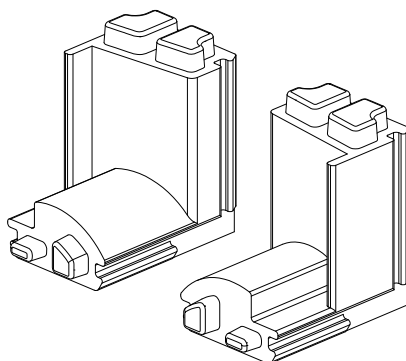
## CONTENTS:

// ACCESSORIES

// DETAILS

ET060684.00

Pair of vulcanized  
EPDM corners for  
gaskets ET130684.00  
& ET130878.00



MOUNTING EPDM VULCANIZED CORNER ET060684.00 TO FRAME & THRESHOLD PROFILES

