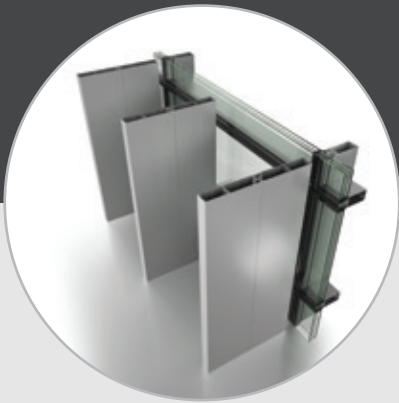


E66

SUN SHADING SYSTEM

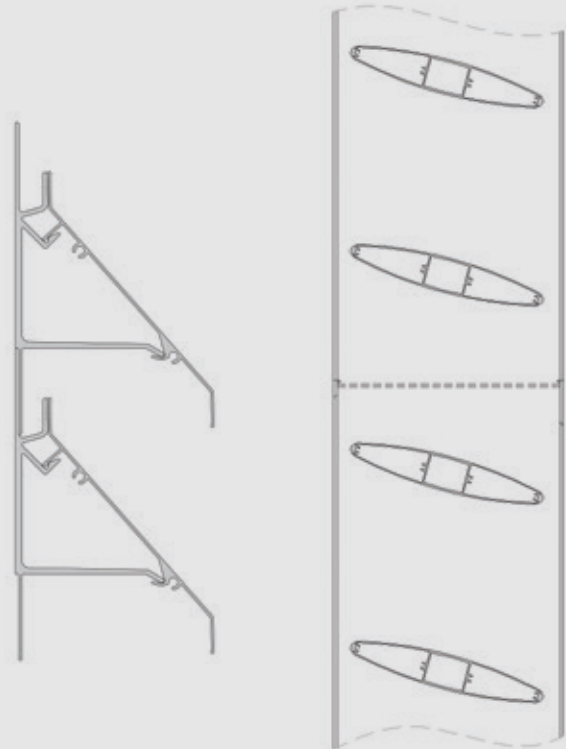
A solar shading solutions' system that meets a wide range of architectural requirements. It provides several louvres design and support solutions to multiple shading span. Louvers can be fixed, rotating or retractable, as well as many fixation methods are available.



TECHNICAL FEATURES

Louver width range:	150 ÷ 600mm
Louver blade type:	Rectangular, elliptical, Z-shape
Installation:	Vertical or horizontal
Angle:	fixed or adjustable

The system can be implemented as independent or in combination with ETEM curtain wall and window systems.



TYOLOGIES

- o Louver gratings
- o Sheds over entrance doors
- o Claustras
- o Decorative shading skins
- o Pergolas

HARDWARE

Multiple variations and hanging methods
Rotating (fixed axes) blades with manual or motorized fittings
Application can be combined with ETEM façade systems with the use of proprietary profiles



SURFACE TREATMENT

- QUALICOAT - Powder coating
- QUALANOD - Anodising
- QUALIDECO - Wood effects