

TECHNICAL BULLETIN

N109 – 2024.06

E50

SLIDING SYSTEM
WITH THERMAL BREAK

➤ **New flat rail E50173 for double glazing and fly screen**

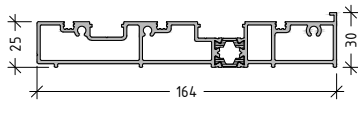
CONTENTS:

// PROFILES

// DETAILS

flat rail E50173

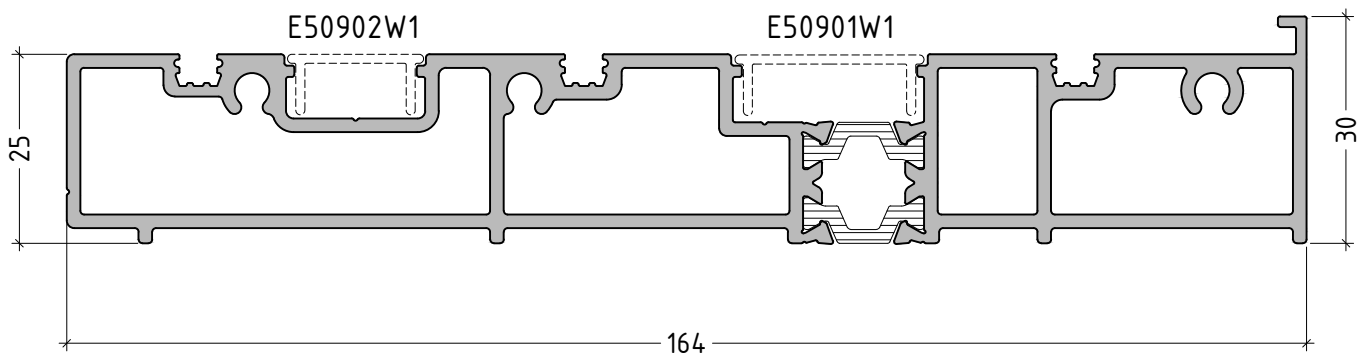
E50

| code | Profile | Weight Length Moment of inertia | code | Profile | Weight Length Moment of inertia |
|--|---|---------------------------------------|------|---------|---------------------------------------|
| E50173 Double flat rail with fly screen |  | 2688 g/m L=6.01 m | | | |
| | | | | | |
| | | | | | |
| | | | | | |
| | | | | | |
| | | | | | |

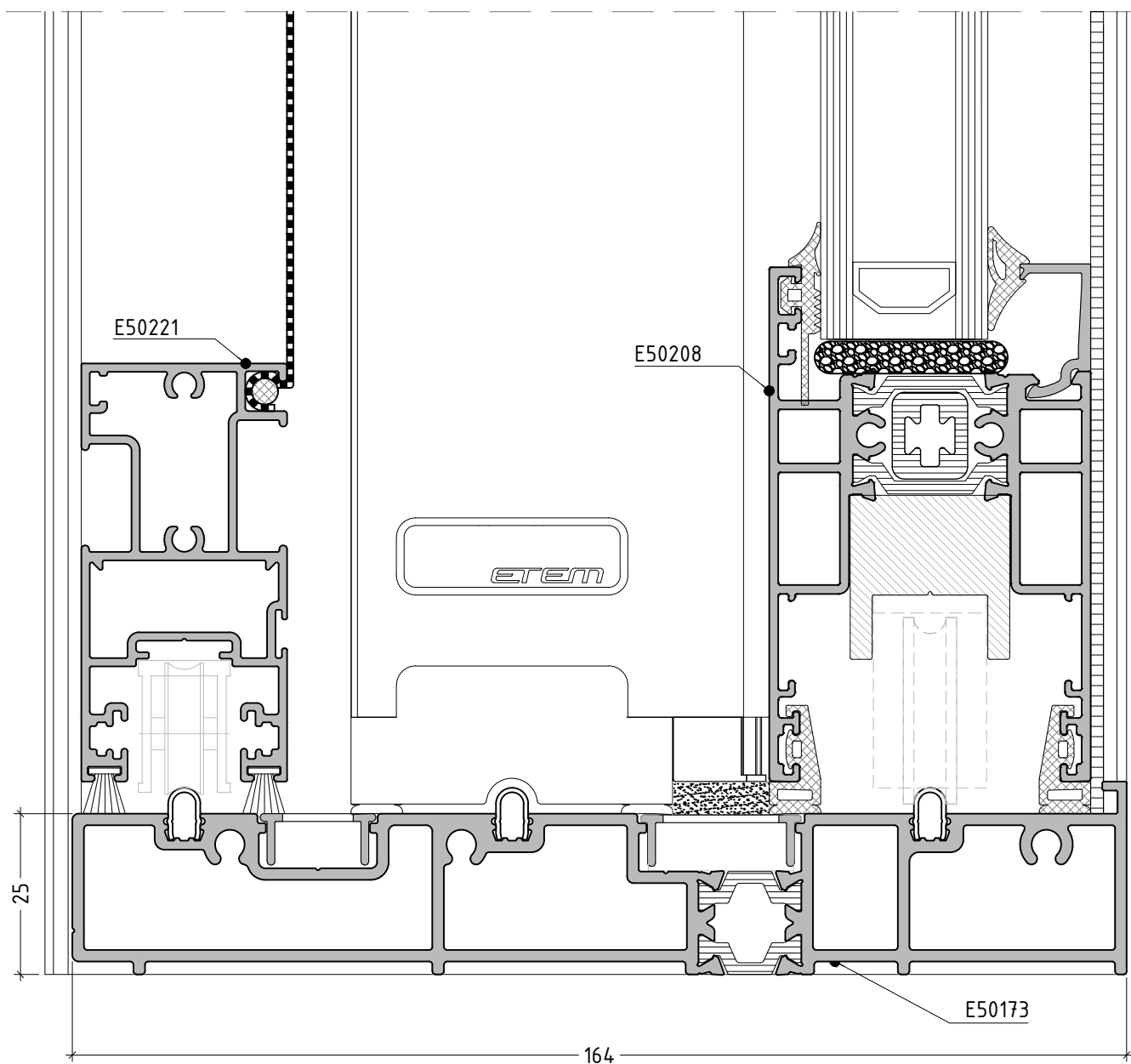
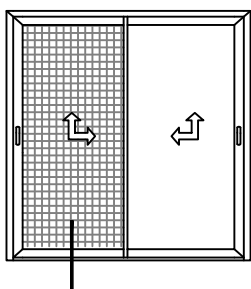
E50173

Double flat rail with
fly screen

2688 g/m

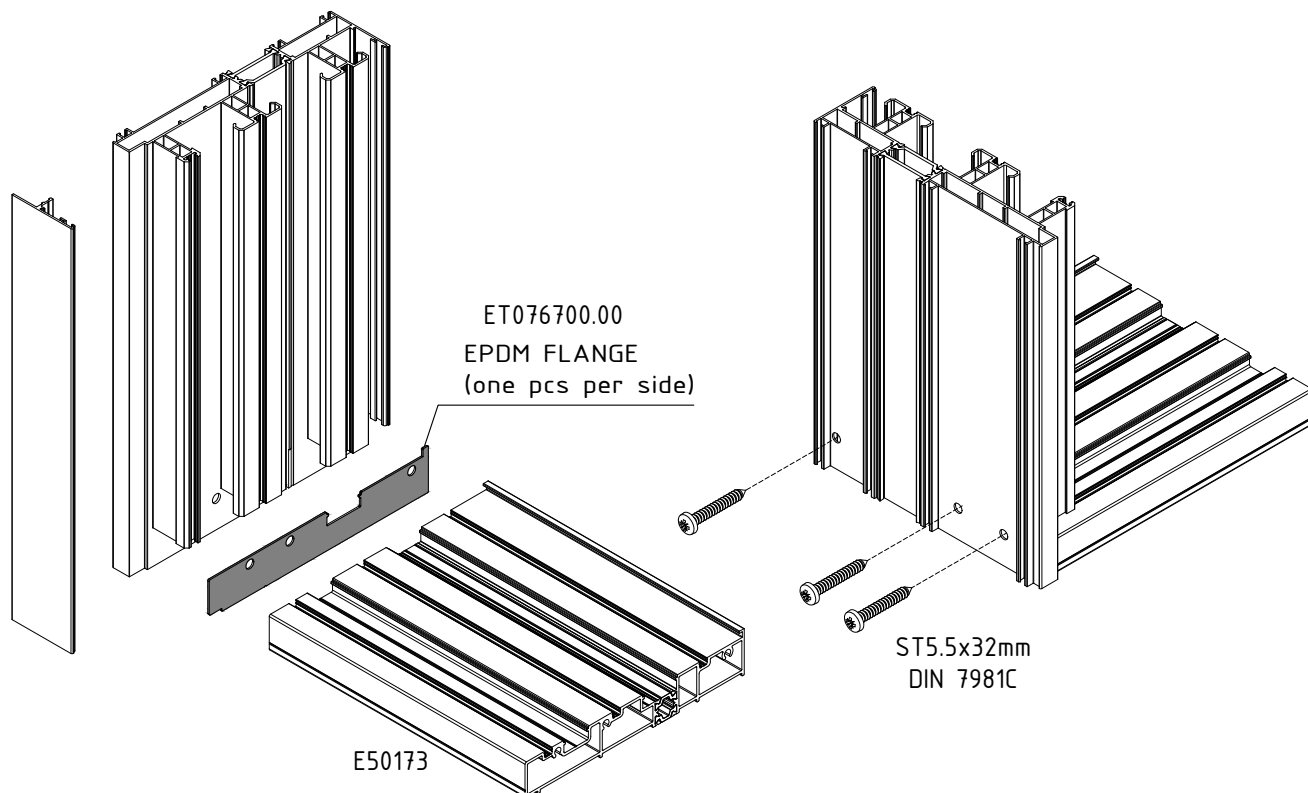
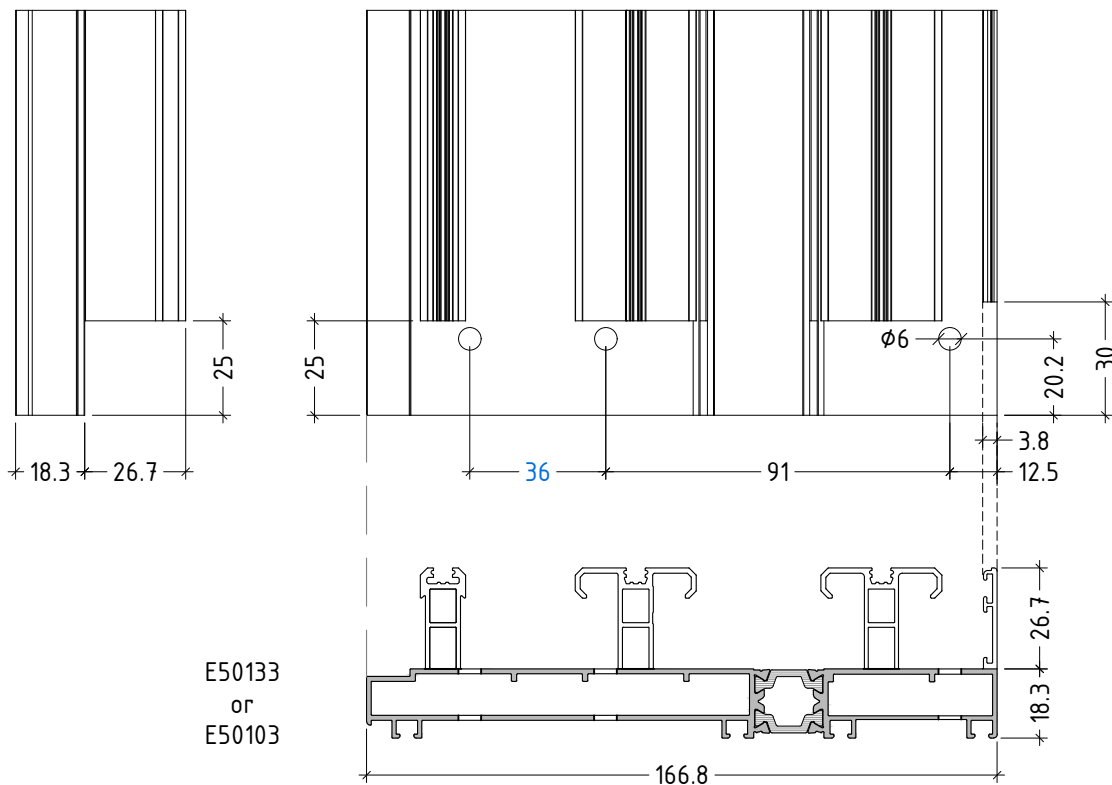


scale : 1:1

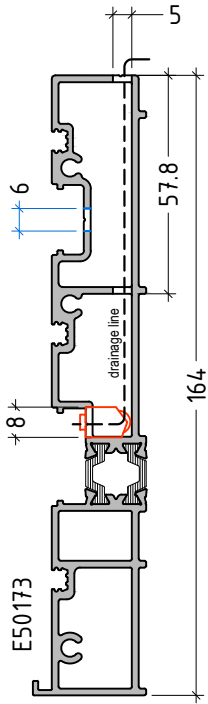


scale : 1:1

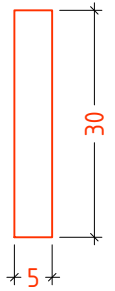
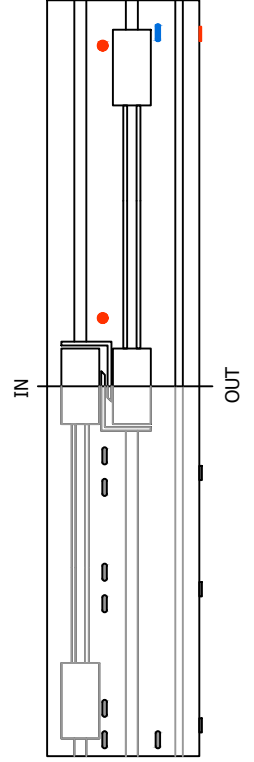
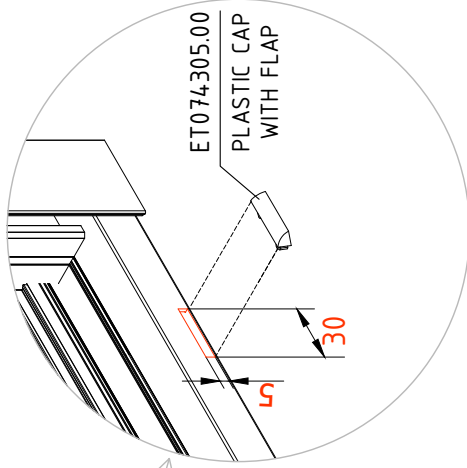
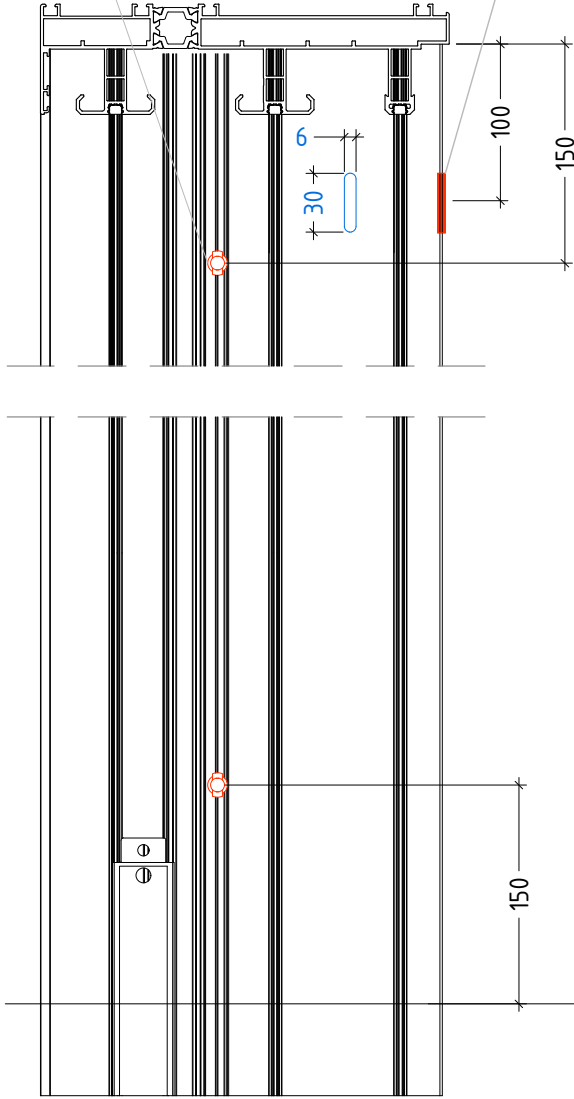
MACHINING REQUIRED FOR 90° CONNECTION WITH DOUBLE RAIL WITH FLY SCREEN - E50173



MACHINING ON FLAT RAIL FOR DRAINAGE

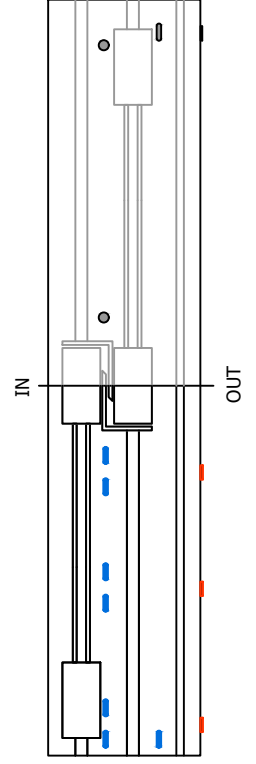
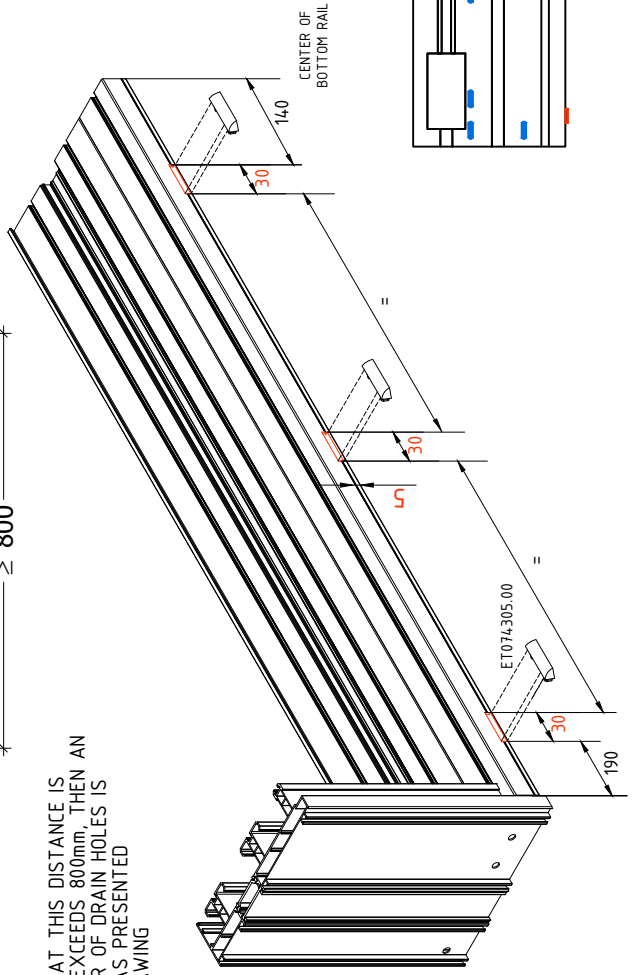
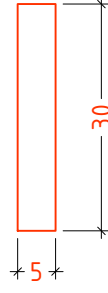
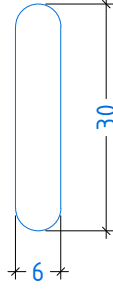
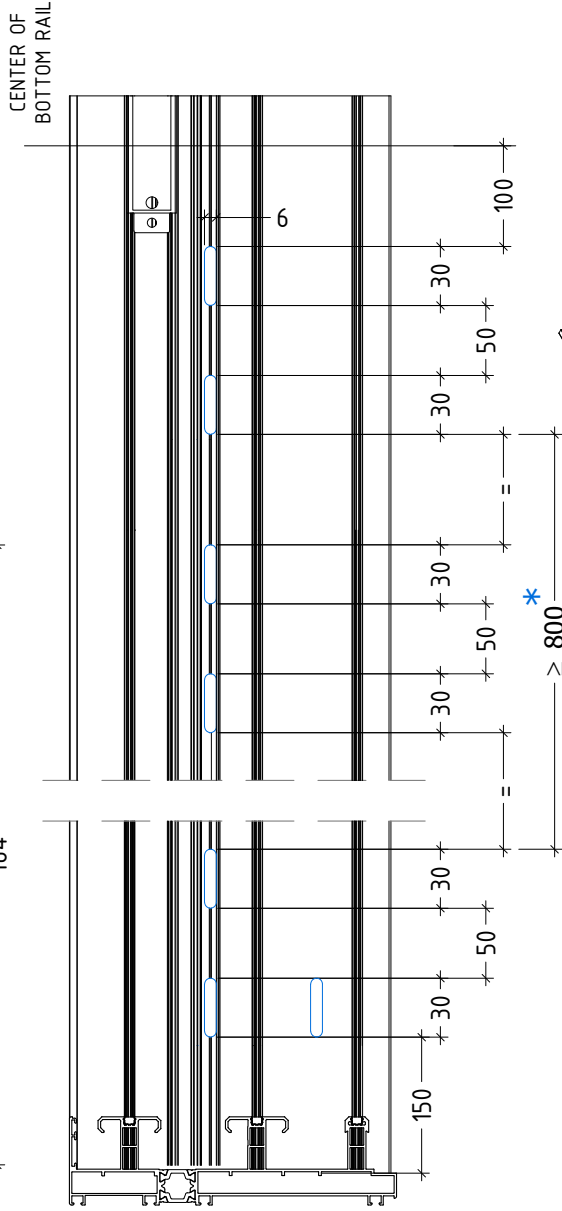
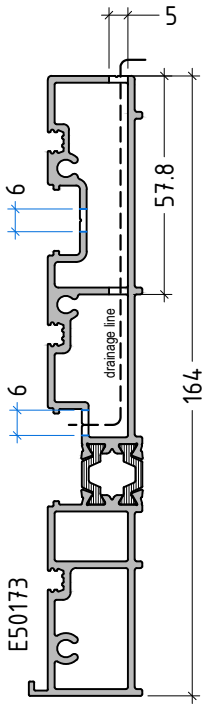


ET074773.00



CENTER OF
BOTTOM RAIL

MACHINING ON FLAT RAIL FOR DRAINAGE



* IN CASE THAT THIS DISTANCE IS EQUAL OR EXCEEDS 800mm, THEN AN EXTRA PAIR OF DRAIN HOLES IS PUNCHED, AS PRESENTED IN THE DRAWING