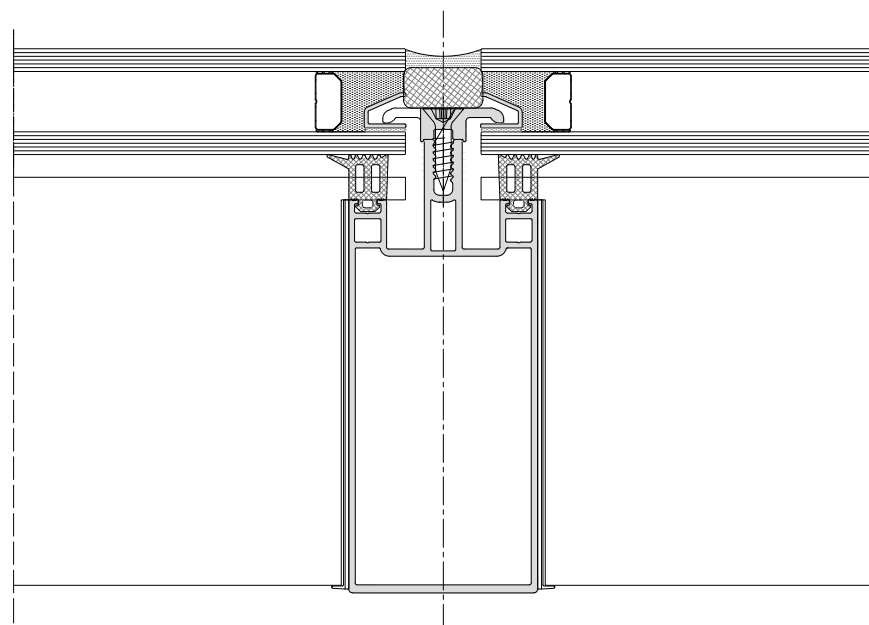


EF50 Curtain Wall System

(structural glazing)



A new generation 50 mm curtain walling system, designed for stick or bonded glazed facades. It provides material optimal solutions with exceptionally high testing performances and it can support wide range of projects profiles for custom applications.



Technical features

System basic width: 50 mm
Min./max. system basic depth: 64 mm / 249 mm
Glazing infill range: 8 ÷ 34 mm
Max. weight: 500 kg
Inertia mullions: up to 1411cm ⁴
Inertia transoms: up to 926 cm ⁴
Inertia transoms: up to 60 cm ⁴

Hardware accessories

Integration of sunshade
EPDM gaskets
Compatible with all ETEM systems

Surface treatment options

RAL colours
ETEM colours
Anodising
Wood effects
Quality Standards:
- QUALICOAT
- QUALANOD
- QUALIDECO

Production certificates

- EN ISO 9001
- EN ISO 14001
- OHSAS 18001

Performance

Thermal Transmittance [Uf]:	from 1,2 W/(m²K)
Air Permeability:	Class AE
Water Tightness [Static]:	Class RE 1500
Resistance to Wind Load [Design Load]:	up to ± 1,6 kN/m²
Resistance to Wind Load [Safety Load]:	up to ± 2,4 kN/m²
Impact Resistance:	up to Classes I4 / E5

Typologies

- Fully capped (wide range of face caps options)
- Horizontal cap with flush
- Vertical cap with flush
- Four-sided structural silicone glazed
- Vertical, slanting, polygonal level curtain walls