

Technical bulleting N 56 contains:

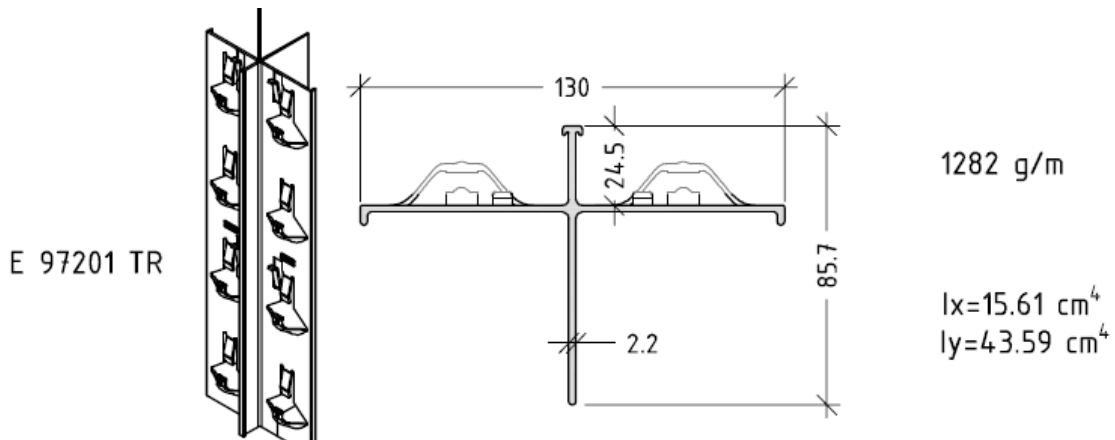
Profiles for ventilated façade system Vario C20, suitable of mounting ceramic tiles.



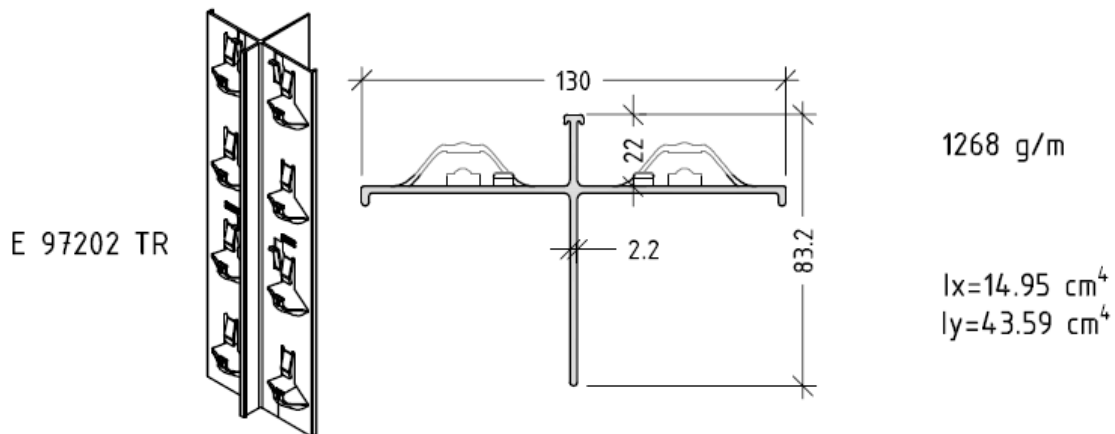
- 1. System profiles*
- 2. Alloy*
- 3. Minimum production quantities*
- 4. Colours*
- 5. Treatments*

- System profiles

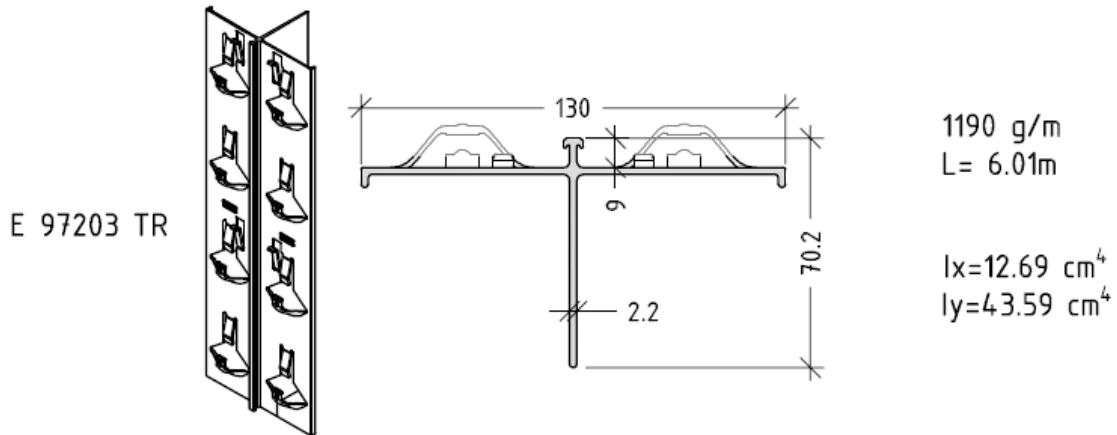
1. E-97201 TR – Main supporting joint T-profile with height 85,7mm and height of the console part 24,5mm.



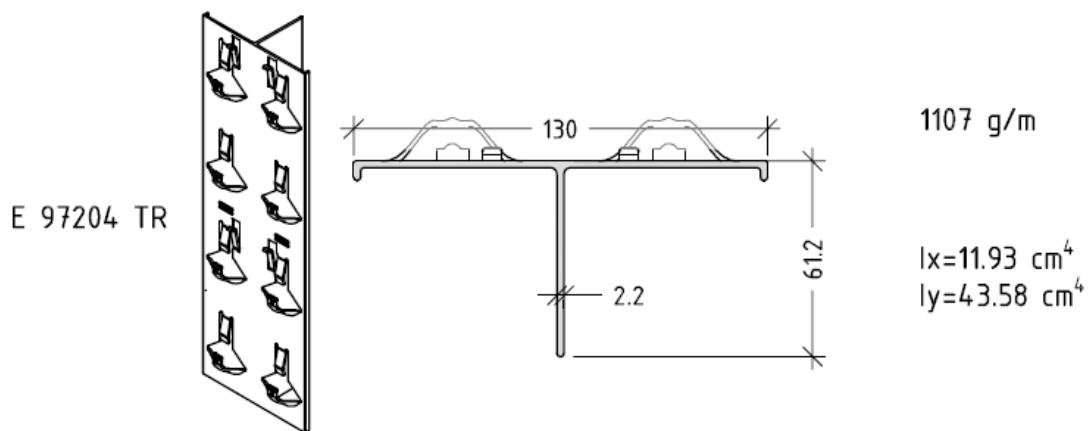
2. E-97202 TR – Main supporting joint T-profile with height 83,2mm and height of the console part 22mm.



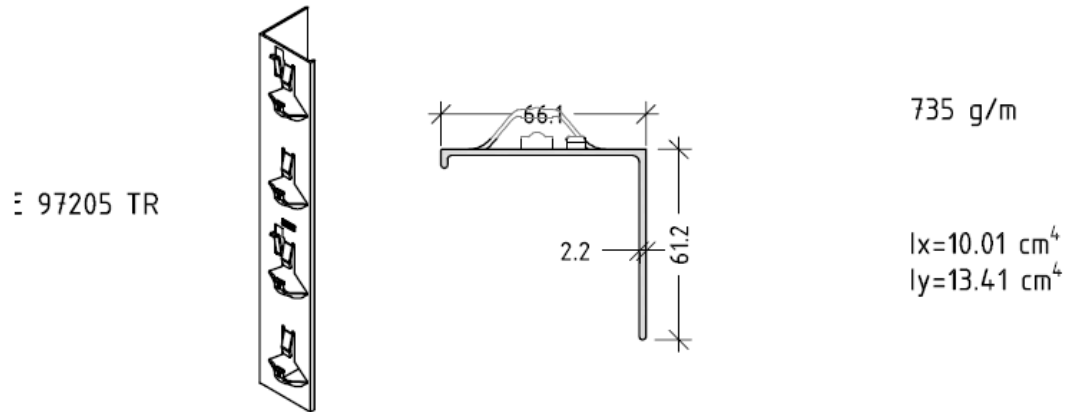
3. E-97203 TR – Main supporting joint T-profile with height 70,2mm and height of the console part 9mm.



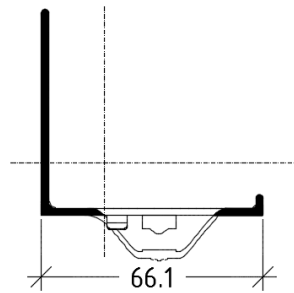
4. E-97204 TR – Main supporting joint T-profile with height 85, mm and without console part.



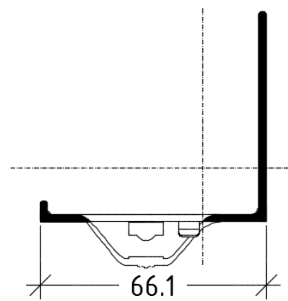
5. E-97205 TR - Main supporting corner L-profile, one side punched, height 61,2mm.



i. E-97205 TR left



ii. E-97205 TR right



- Alloy
 - EN AW- 6060 [Al Mg Si] T66
 - Table

Extruded profile ^e								
Temper	Wall thickness <i>t</i> mm	R_m MPa		$R_{p0,2}$ MPa		<i>A</i> %	$A_{50\text{ mm}}$ %	<i>HBW</i> Typical value
		min.	max.	min.	max.	min.	min.	
T4 ^c	≤ 25	120	-	60	-	16	14	50
T5	≤ 5	160	-	120	-	8	6	60
	5 < <i>t</i> ≤ 25	140	-	100	-	8	6	60
T6 ^c	≤ 3	190	-	150	-	8	6	70
	3 < <i>t</i> ≤ 25	170	-	140	-	8	6	70
T64 ^{c,d}	≤ 15	180	-	120	-	12	10	60
T66 ^c	≤ 3	215	-	160	-	8	6	75
	3 < <i>t</i> ≤ 25	195	-	150	-	8	6	75

^a *D* = Diameter for round bar.
^b *S* = Width across flats for square and hexagonal bar, thickness for rectangular bar.
^c Properties may be obtained by press quenching.
^d Bending quality.
^e If a profile cross section is comprised of different thickness which fall in more than one set of specified mechanical property values, the lowest specified value shall be considered as valid for the whole profile cross section.

- Minimum production quantities
 - Min. quantities for extrusion – 300 kg.
 - Min. quantities for add. treatment – after confirmation from Add. Treatment Dept.
- Colours
 - Most usable colour is RAL9005 (black), category RAL2.
 - Possibility to paint the profile in every colour.

- Treatments
 - Steps for add. treatment (punching) suitable for ceramic tiles with heights from 200 to 500mm.
 - Possibility for punching different steps on the same profile.
 - Suggested length of the profile – one floor height (4,2m , 3,0m). The most feasible treatment is 3,0m.

